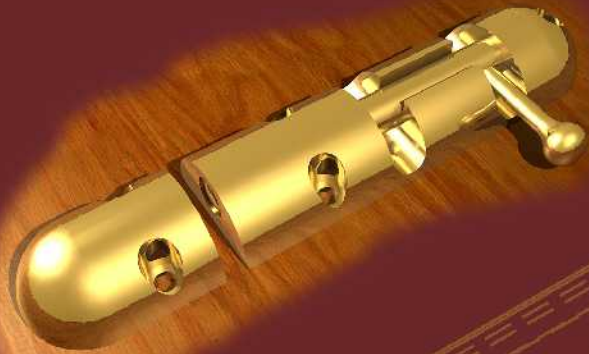
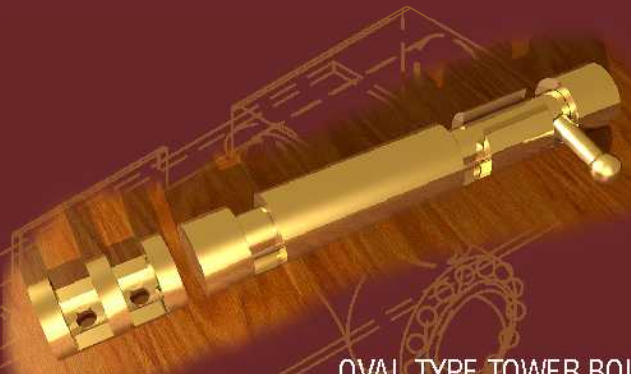


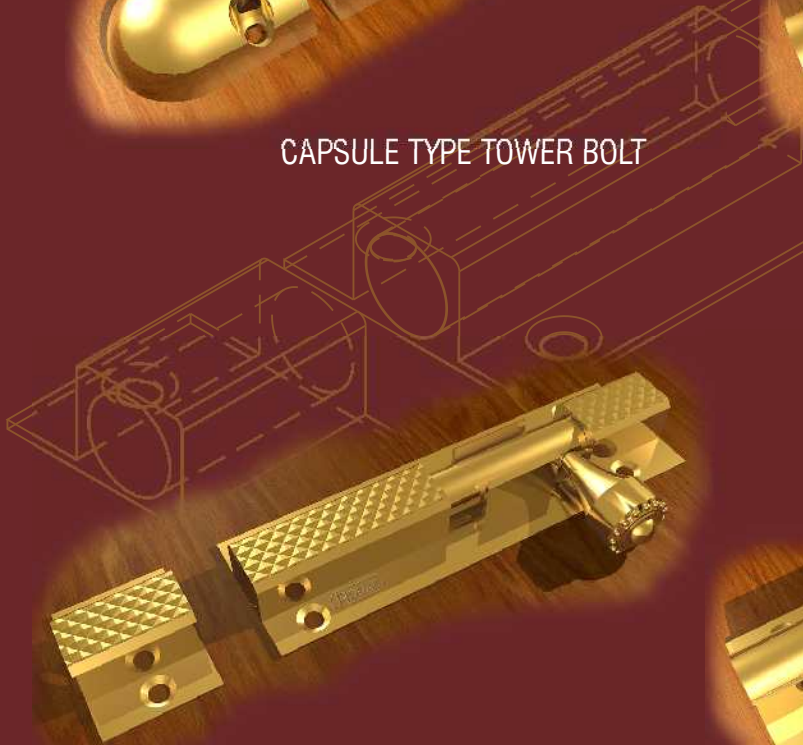
TOWER BOLTS



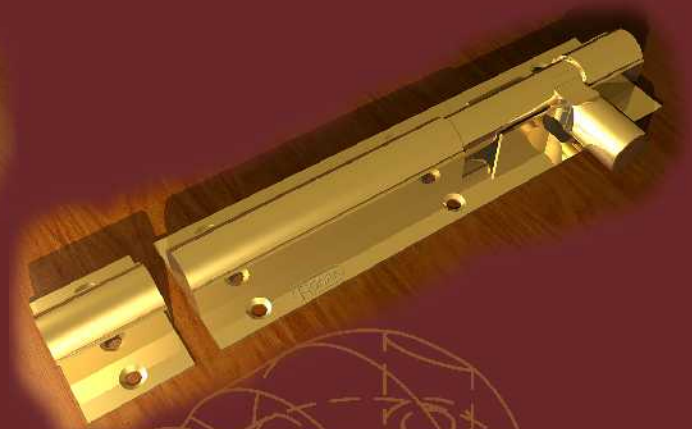
CAPSULE TYPE TOWER BOLT



OVAL TYPE TOWER BOLT



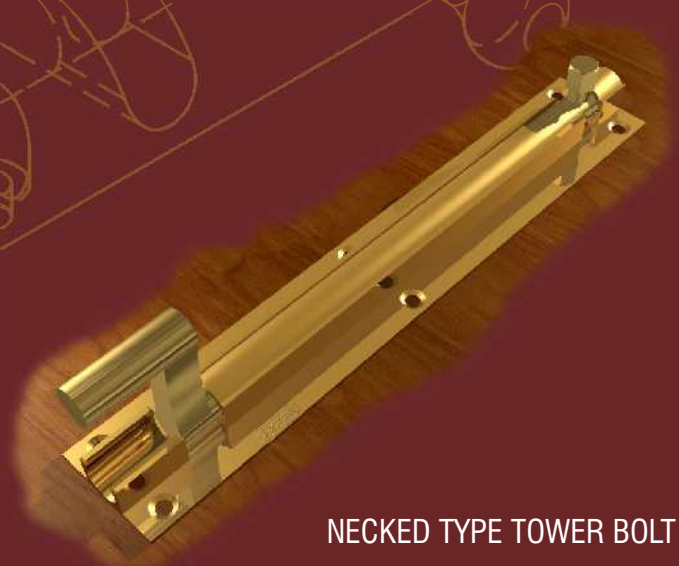
DIAMOND CUT TOWER BOLT



REGULAR TOWER BOLT



SQUARE TYPE TOWER BOLT



NECKED TYPE TOWER BOLT



PRAKASH ENGINEERING SERVICES

"Hasmukh Kunj", 50 Digvijay Plot, Jamnagar-361 005, Gujarat (INDIA).
Phone : +91-288-2566089 Fax : +91-288-2566662
Email : pesjam@pesjam.com Website : <http://www.pesjam.com>